

**GROVE**

E.-ANLAGE KRANKABINE  
ELECTR. CONSTRUCTION, CRANE CABIN

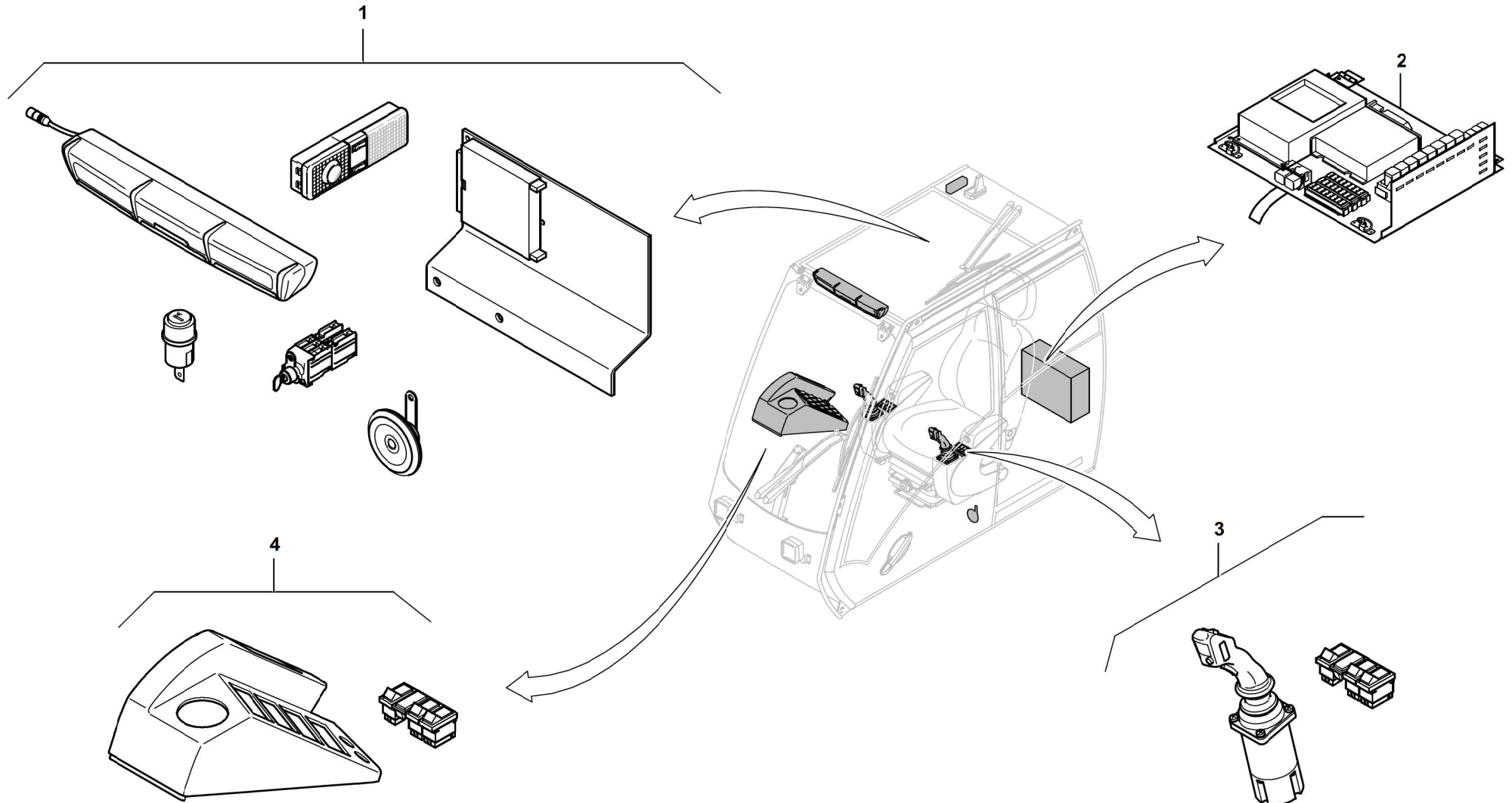
BILDTAFEL  
PICTORIAL DISPLAY

**GMK 6300**  
**BE 630**  
**G 807**

04.16

**3295176-ETL C**

1/4



**GROVE**

E.-ANLAGE KRANKABINE  
ELECTR. CONSTRUCTION, CRANE CABIN

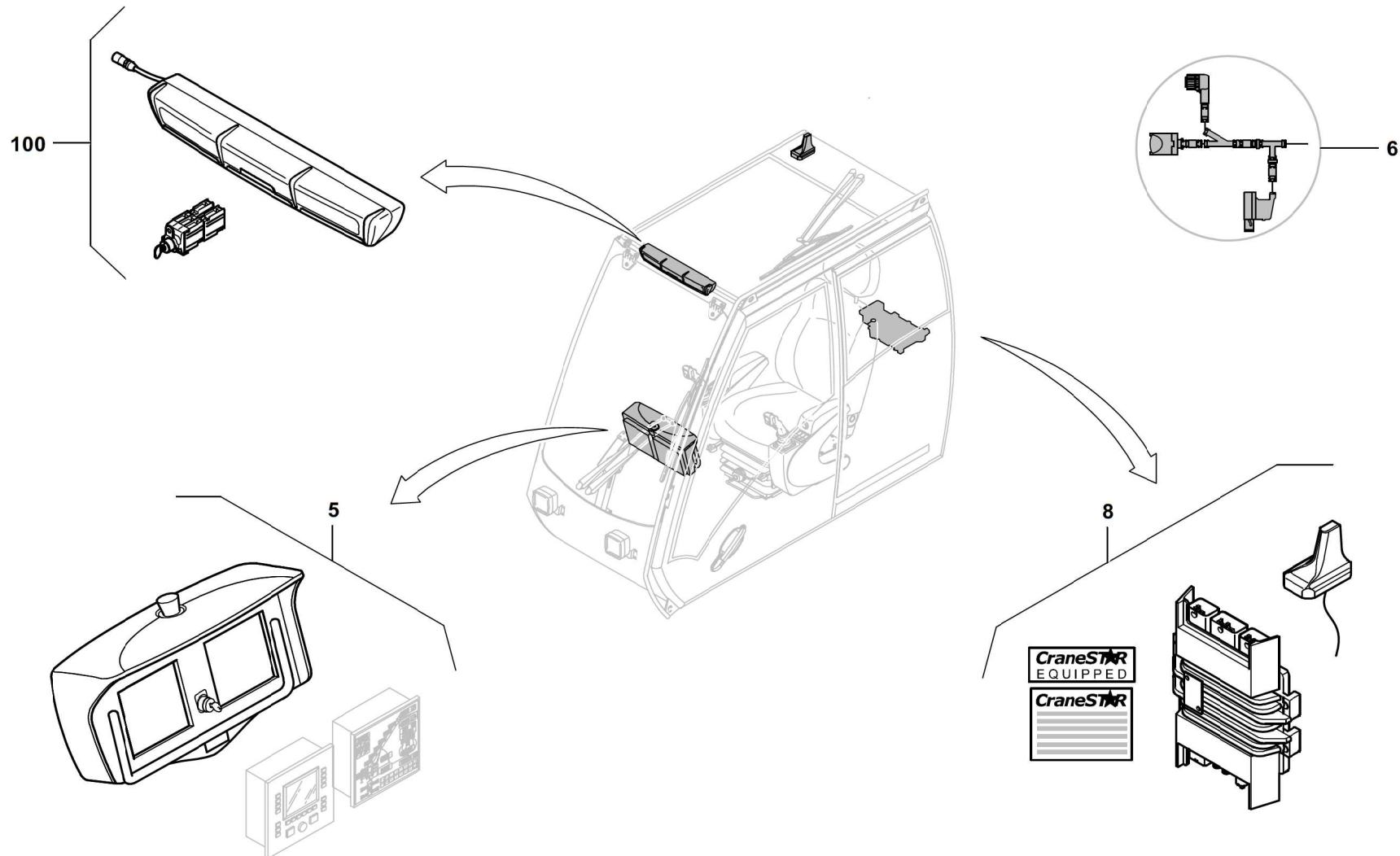
BILDТАFEL  
PICTORIAL DISPLAY

**GMK 6300**  
**BE 630**  
**G 807**

04.16

**3295176-ETL C**

2/4



**GROVE**

E.-ANLAGE KRANKABINE  
ELECTR. CONSTRUCTION, CRANE CABIN

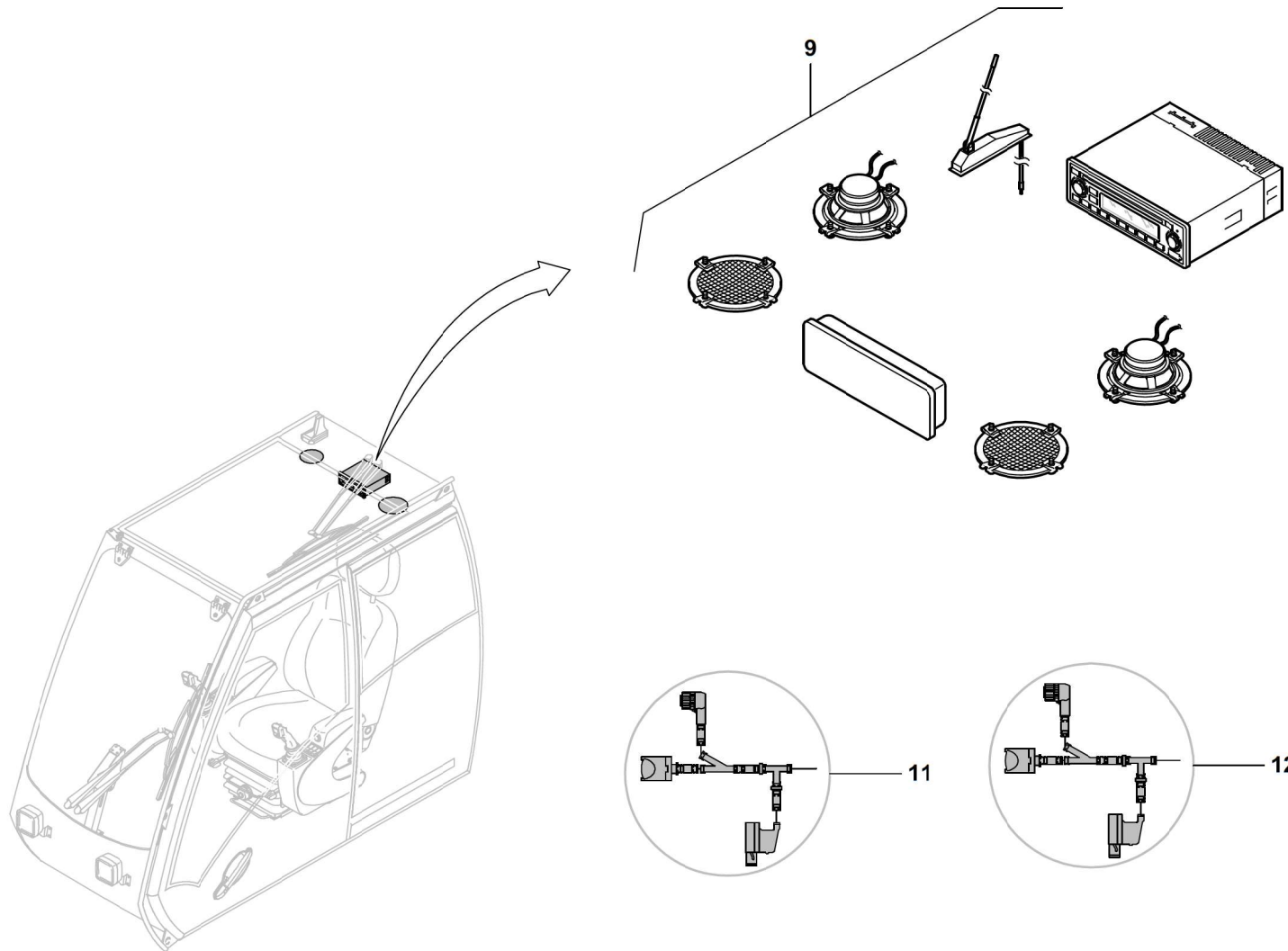
BILDTAFEL  
PICTORIAL DISPLAY

**GMK 6300**  
**BE 630**  
**G 807**

04.16

**3295176-ETL C**

3/4

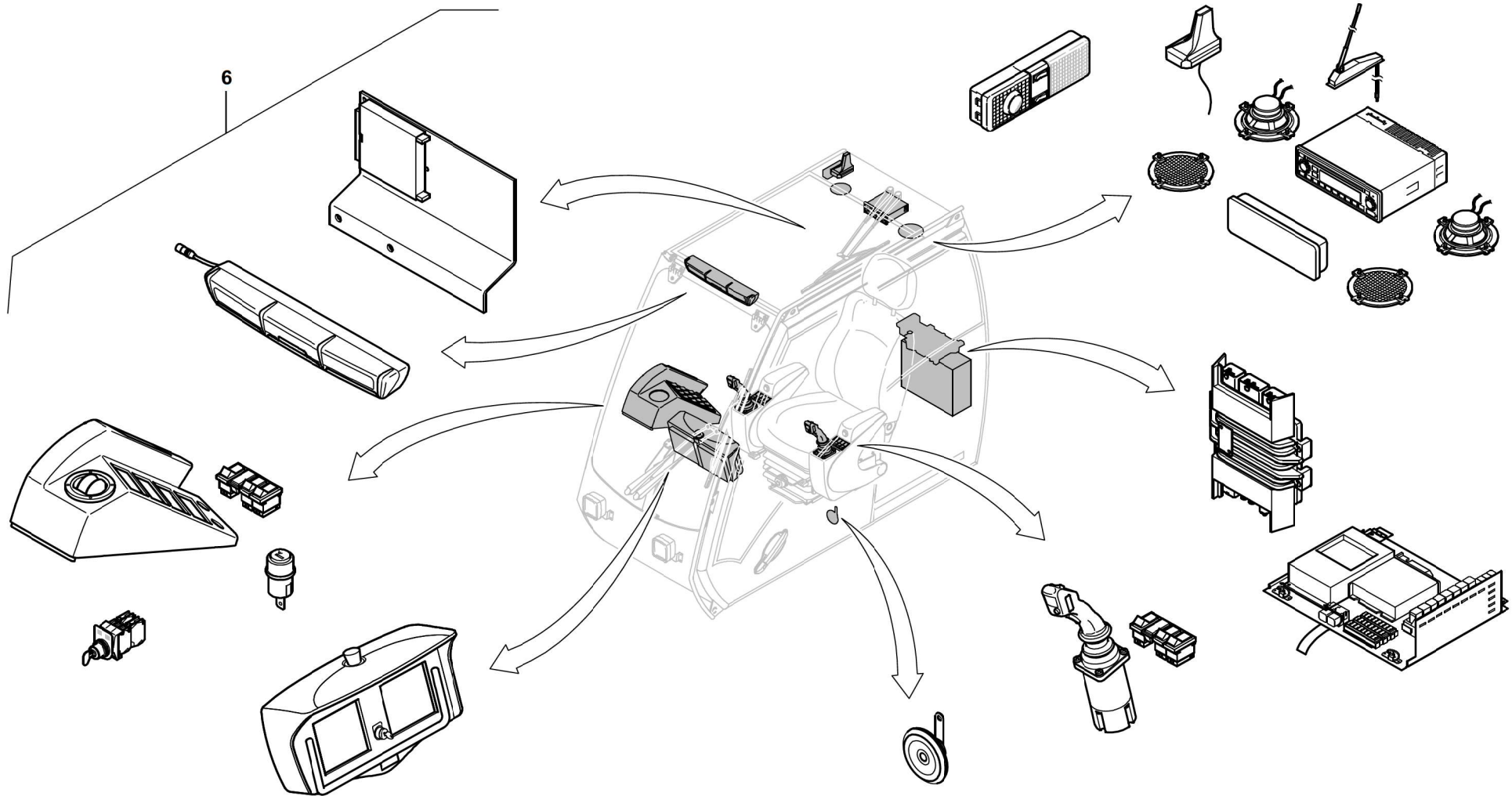


**GROVE**E.-ANLAGE KRANKABINE  
ELECTR. CONSTRUCTION, CRANE CABINBILDTAFFEL  
PICTORIAL DISPLAYGMK 6300  
BE 630  
G 807

04.16

3295176-ETL C

4/4



3295176-C-BL04-0416-0000